

# Data Sheet

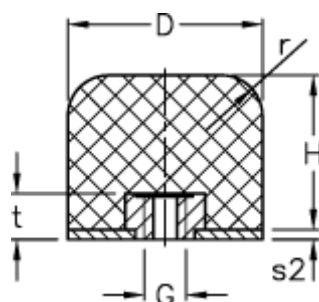


Article number: 51503228100010

Description: Vibration damper GP-1I 50x40  
M10, NR shore 57

## Measures

---



D	= 50	t = 10
d2	= 2	
G	= M10	
H	= 40	
Load capacity F (kN)	= 24.0	
Load capacity f (mm)	= 22	
Load capacity W (J)	= 140	
r	= 10.0	